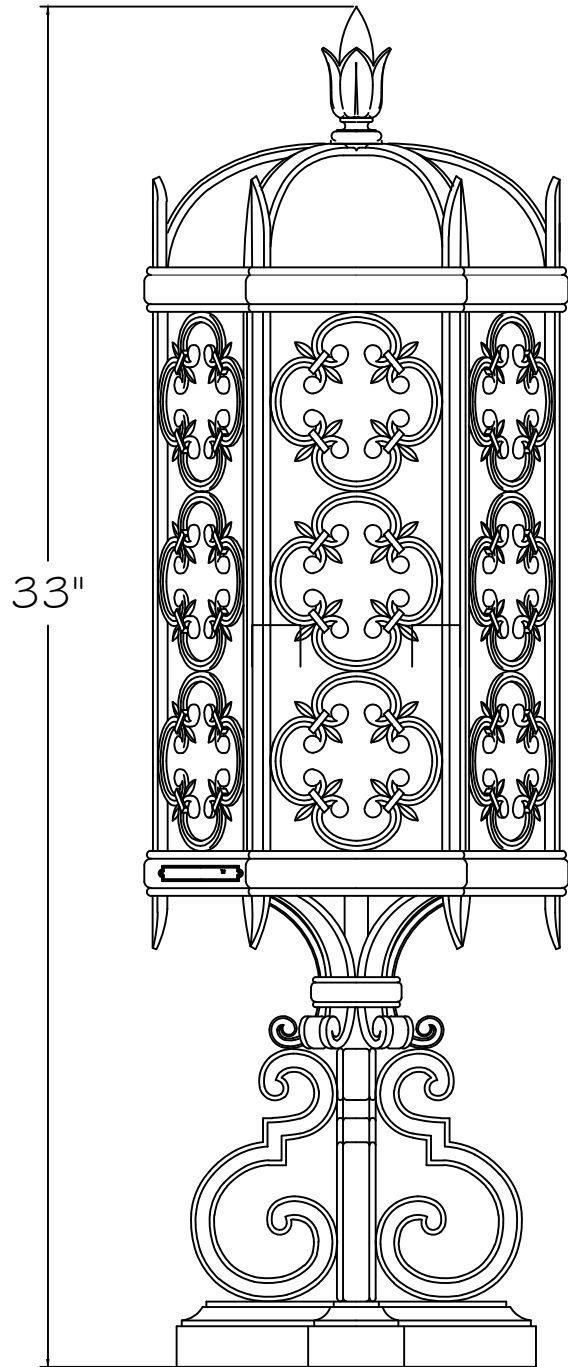
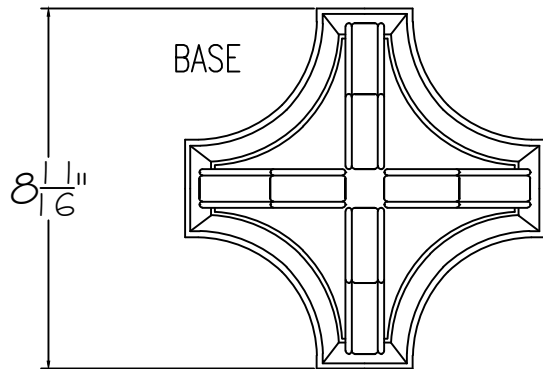
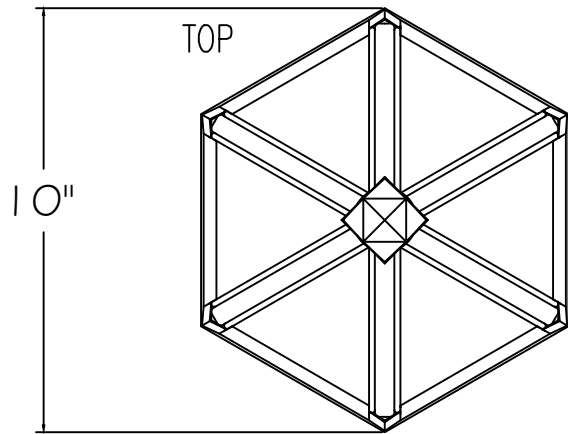
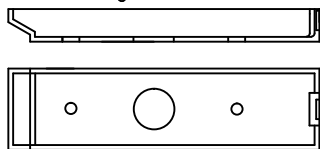


ASSEMBLY/ CUSTOMER SERVICE INSTRUCTIONS: OVERALL DIMESIONS



Mounting Bracket



This drawing and specifications are the exclusive property of BLUMBERG INDUSTRIES, INC. issued in strict confidence and shall not, without the prior written permission of BLUMBERG INDUSTRIES, INC., be produced, copied or used for any purpose whatsoever except the manufacture articles for FINE ART LAMPS.

FINE ART LAMPS 5770 - 5772 MIAMI LAKES DR. EAST, MIAMI LAKES, FL 33014
(305) 821-3850 FAX: (305) 821-1564

STYLE	324980st	PART	-	REV.	A
DFT.	JB	DATE	11/10/05	SHEET	1 / 1