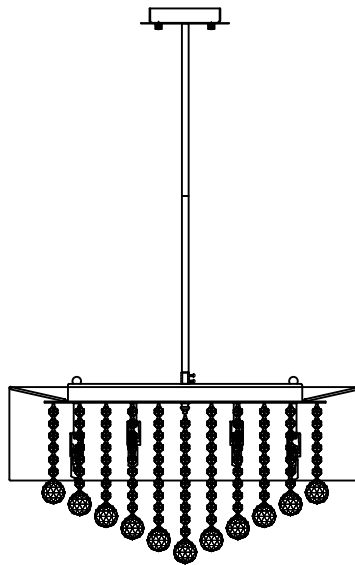


Trade Mark:
CRYSTAL WORLD INC

Product Name: Pendant lamp
MODEL:5062P24C
120Vac, 60Hz,AC ONLY
Lamp Size:Ø24"xH48"



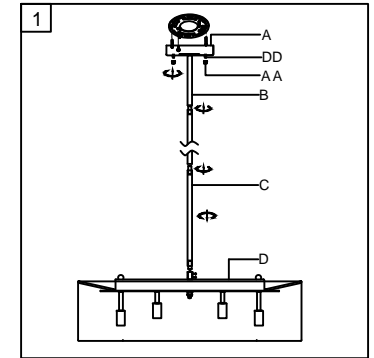
PENDANT LAMP ASSEMBLY INSTRUCTIONS

1. Place fixture(A) onto mounting screws (DD).secure with cap nuts (AA). Please fix (A) with (B).(B) with (C), (C) with (D).

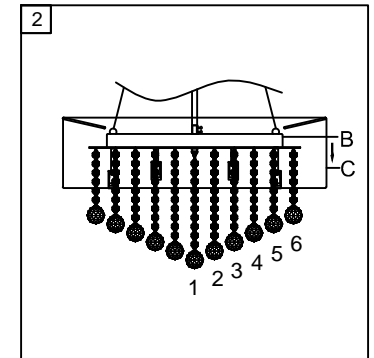
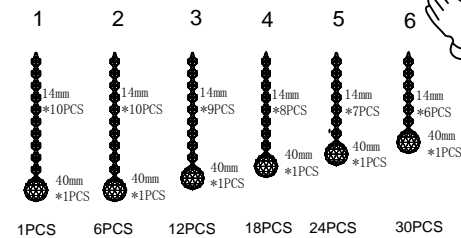
Hardware Used

AA Cap nut  X 4

DD Mounting screw  X 4



2. Please hang the crystal(1)(2)(3)(4)(5)(6) to the fixture (B).



3. Install light bulbs (not included).

Use 120V G9  12*40W Max.

