

## ASSEMBLY INSTRUCTIONS

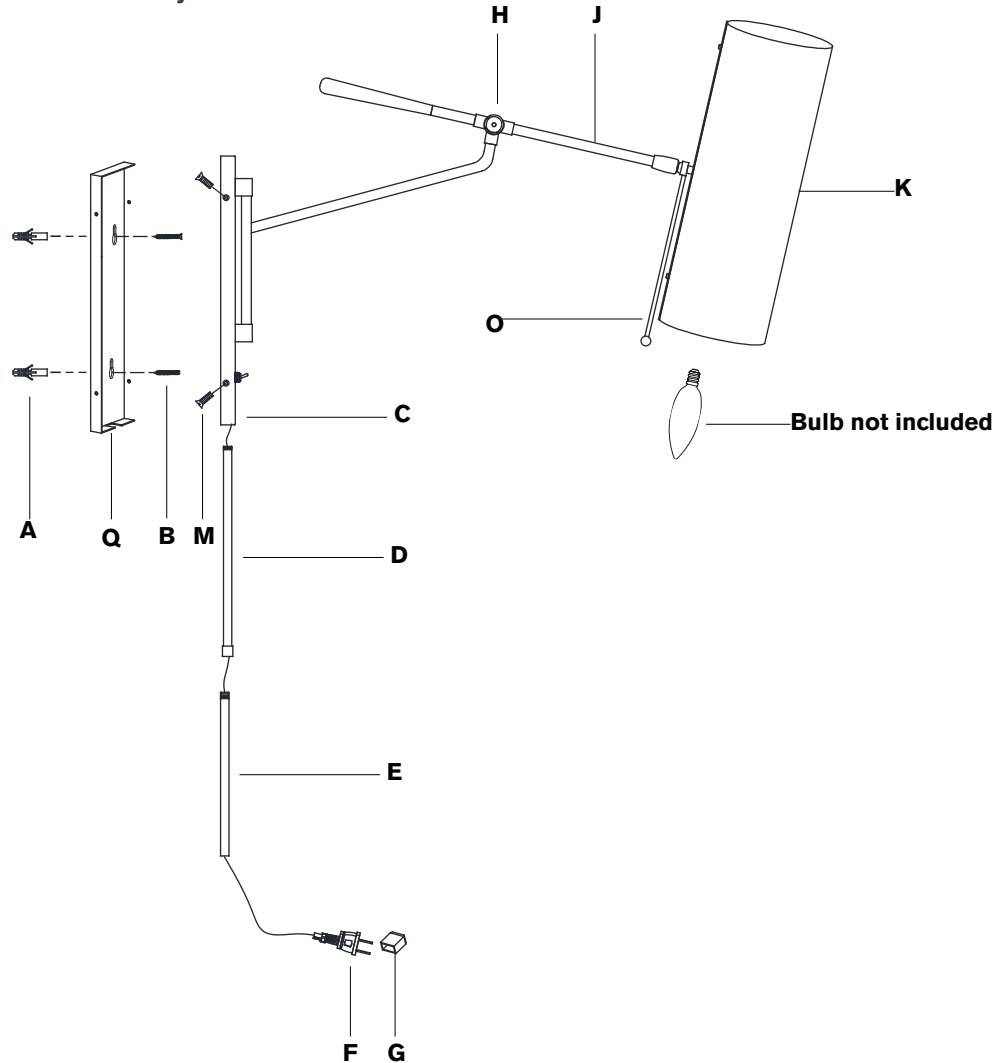
### Frankfort Articulating Wall Light

Item # ARN 2002

#### NOTICE:

This light fixture should be installed in accordance with all applicable, local installation codes, and by a person familiar with the construction and operation of it, as well as the hazards involved. Inspect item and contents carefully. If any damage or defect is found, do not install. Retain all packaging material until installation is complete and approved.

#### Portable assembly



#### TOOLS REQUIRED (NOT INCLUDED):

Phillips Screwdriver	Slotted Screwdriver	Drill
Hammer	Pencil	

1. Carefully remove all parts from the box. Place on a clean, soft surface.
2. Remove portable mounting plate (Q) from fixture body (C) by unscrewing side screws (M).
3. Using the portable plate (Q) as a guide, line up with the wall and mark anchor positions.
4. Using a drill bit slightly smaller than the anchor, drill holes in the marked positions. Install anchors (A) into the holes using hammer.
5. Install portable mounting plate (Q) to wall by securing wood screws (B) to anchors (A).
6. Install fixture body (C) to portable mounting plate (Q) and secure with side screws (M).
7. Thread cord covers (D) & (E) to fixture body (C).
8. Insert light bulb into the socket.
9. To adjust the fixture arm (J) loosen the adjustment knob (H), adjust to desired position, then tighten knob (H).
10. Using handle (O), swing shade (K) left or right to adjust position.
11. Remove protective plug cover (G) from plug (F).
12. Plug into a proper electrical outlet and test the fixture.

**Care Instructions:** Clean only with a soft dry cloth or feather duster. Do not use abrasive or chemical agents.



## ASSEMBLY INSTRUCTIONS

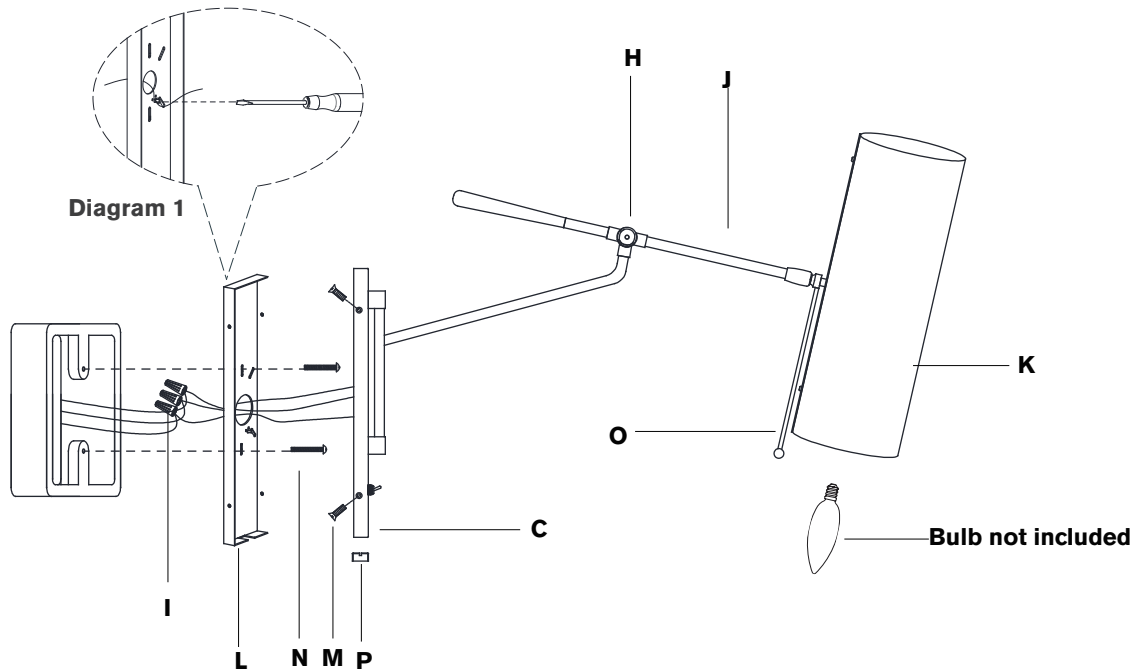
### Frankfort Articulating Wall Light

Item # ARN 2002

#### NOTICE:

This light fixture should be installed in accordance with all applicable, local installation codes, and by a person familiar with the construction and operation of it, as well as the hazards involved. Inspect item and contents carefully. If any damage or defect is found, do not install. Retain all packaging material until installation is complete and approved.

#### Hardwire assembly



10. Install fixture body (**C**) to hardwire mounting plate (**L**) and secure with side screws (**M**).
11. Insert light bulb into the socket.
12. To adjust the fixture arm (**J**) loosen the adjustment knob (**H**), adjust to desired position, then tighten knob (**H**).
13. Using handle (**O**), swing shade (**K**) left or right to adjust position.

**Care Instructions:** Clean only with a soft dry cloth or feather duster. Do not use abrasive or chemical agents.